

6VC5.0 6V5.0Ah

General Application

6VC5.0 is a general purpose battery with 3~5 years in standby service or more than 400 cycles at 50% depth of discharge in cycle service.

Unit Specification

• NOMINAL VOLTAGE	: 6 V
• NOMINAL CAPACITY(20 hr)	: 5.0 Ah
• DIMENSIONS	
TOTAL HEIGHT	: 107 mm (4.21 inches)
CONTAINER HEIGHT	: 101 mm (3.98 inches)
LENGTH	: 70 mm (2.76 inches)
WIDTH	: 47 mm (1.85 inches)
• NET WEIGHT(UNIT)	: APPROX 0.83 Kg (1.83 lbs)
• CONTAINER MATERIAL	: UL94HB ABS
	: UL94V-0 ABS
• INTERNAL RESISTANCE(25°C , 77 °F)	: ~17 mΩ
• DISCHARGE CAPACITY UNDER DIFFERENT TEMPERATURES	
40°C	: ~102%
25°C	: ~100%
0 °C	: ~85%

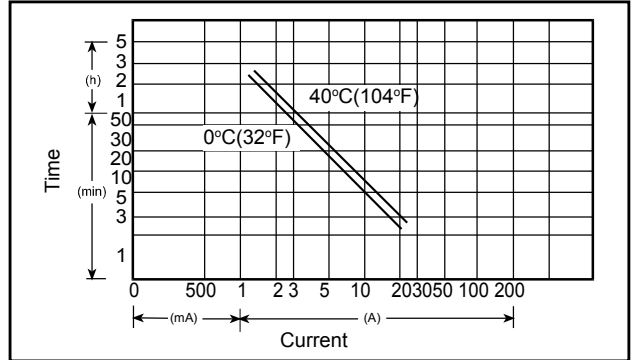
Characteristics

• CAPACITY 25 °C / 77 °F	
20 hr @ 0.25 A	: 5.0 Ah
5 hr @ 0.8 A	: 4.0 Ah
1 hr @ 3.0 A	: 3.0 Ah
1 C @ 5.0 A	: 2.5 Ah
• CHARGING VOLTAGE (25°C , 77 °F)	
STANDBY USE	: 6.825V±0.075 V
CYCLE USE	: 7.35V±0.15 V
• MAX DISCHARGE CURRENT : 60 A (5 sec)	
• MAX CHARGING CURRENT : 1.5 A	
• SELF-DISCHARGE RESIDUAL CAPACITY(25°C , 77 °F)	
AFTER 3 MONTHS	: ~90%
AFTER 6 MONTHS	: ~82%
AFTER 12 MONTHS	: ~70%

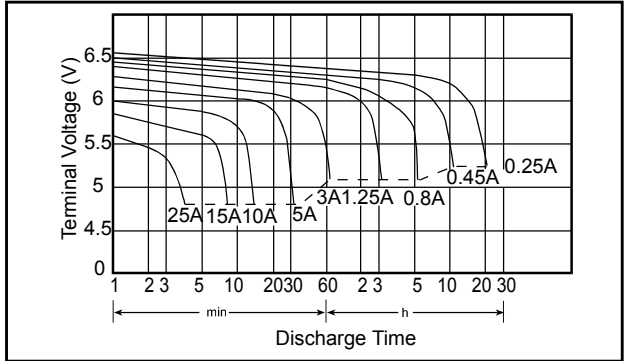
Packaging and Weights

• CASE LOT SIZE	: 20Pcs
• NET WEIGHT(UNIT)	: 0.83Kg (1.83lbs)
• GROSS WEIGHT(CASE SIZE)	: 17.60Kg (38.80lbs)

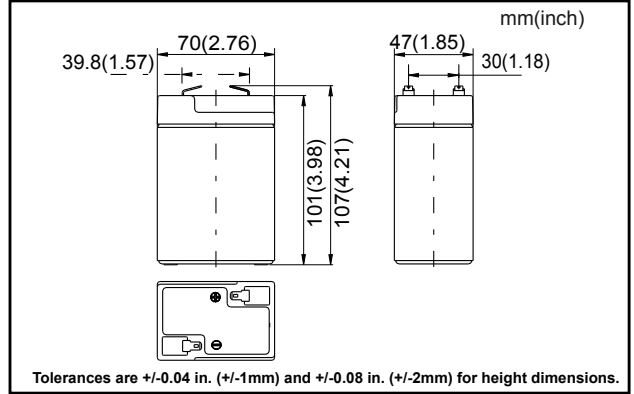
Discharge Current vs Time



Discharge Characteristics @25 °C (77 °F)



Dimensions



Terminal

